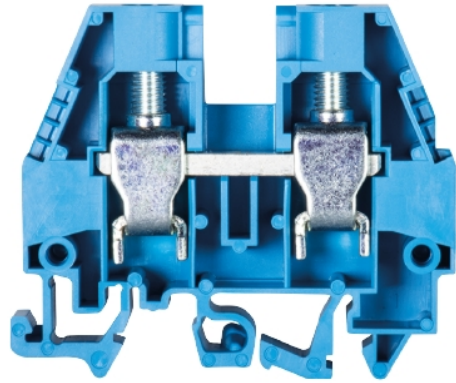


Data sheet

Commercial Art.No.: 57.510.1155.6

feed-through terminal WKI 10 / U BL/V0

Feed-through terminal with Screw connection for mounting on TS 35/ TS 32, nominal cross section: 10 mm², width: 10 mm, color: blue



Commercial Art.No.	57.510.1155.6
EAN	4015573570726
Order Unit	50

certificates / approvals



Technical data

general

nominal cross section	10 mm ²
color	blue
number of levels	1
number of clamp positions per level	2
width/grid dimension	10 mm
insulating housing	PA666
flammability class of insulation material acc. with UL94	V0
explosion-tested version "Ex e"	no
mounting method	DIN rail (top hat rail)/G-rail
terminal blocks for electrical installations	yes
Anzahl der Klemmstellen je Etage	2
Montageart	DIN rail (top hat rail)/G-rail
Brennbarkeitsklasse des Isolierstoffs	V0
Reihenklennen für Installationsverteiler	yes

technical data

rated current	57 A
rated voltage	400 V
rated impulse voltage	6 kV
pollution degree	3
closing plate required	yes
type of insulation material	thermoplastic

length	58 mm
--------	-------

connection data

connection type 1	screw connection
connection type 2	screw connection
minimum cross section solid	1.5 mm ²
maximum cross section solid	10 mm ²
minimum cross section fine stranded	1 mm ²
maximum cross section fine stranded	10 mm ²
minimum cross section stranded	16 mm ²
maximum cross section stranded	16 mm ²
wire strip length	18 mm
torque conductor mounting	2 Nm

technical data UL/CSA

cross section UL	16-6 AWG
voltage UL	600 V
current factory wiring	65 A
current field wiring	65 A
cross section CSA	16-6 AWG
voltage CSA	600 V
current CSA	70 A

classification

ECLASS 11	
ECLASS 8.1	27141120
ETIM 9.0	EC000897
ETIM 8.0	EC000897
ETIM 7.0	EC000897
ETIM 6.0	EC000897
ETIM 5.0	EC000897
ETIM 4.0	EC000897
ETIM 3.0	EC000897

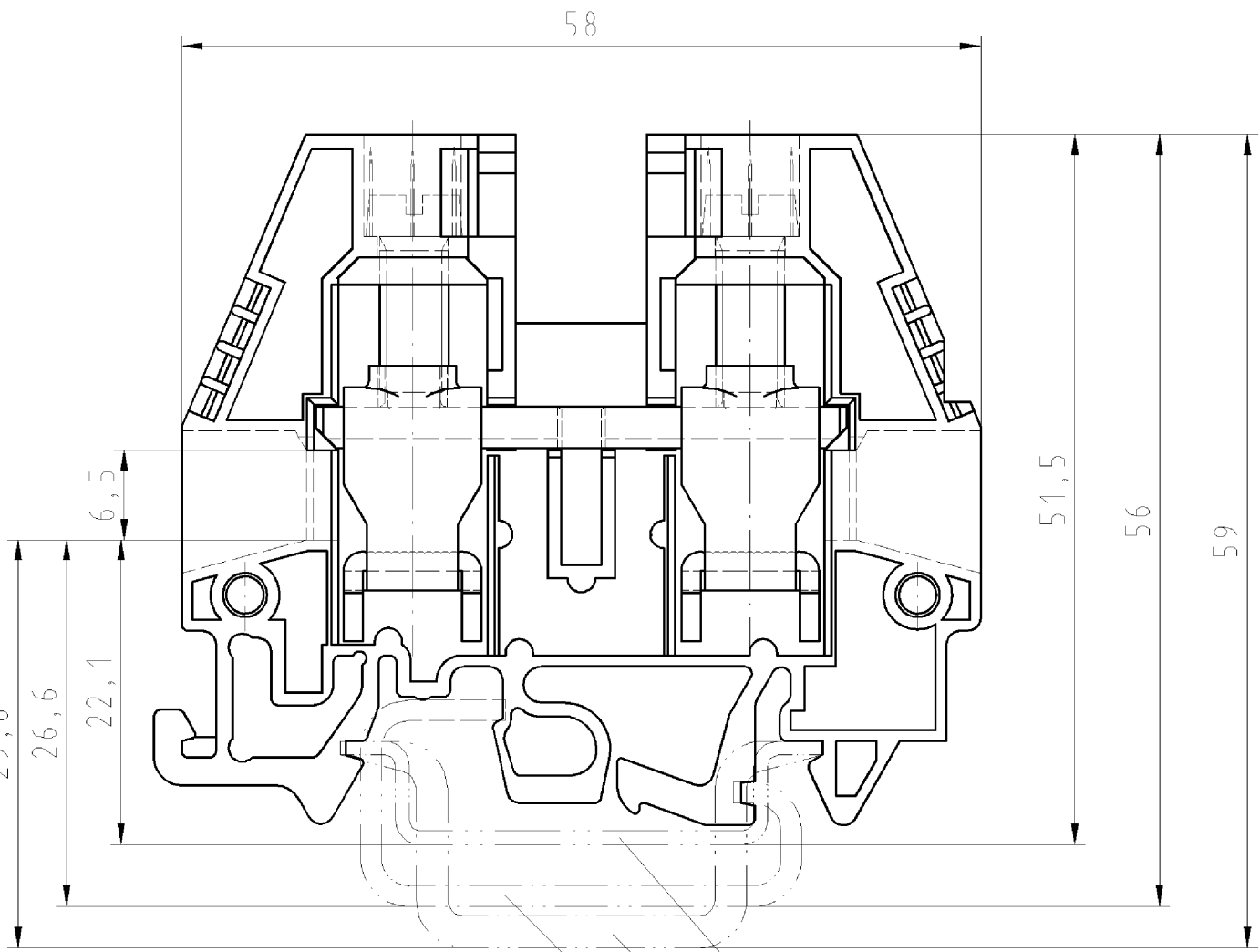
product compliance

ROHS conformity status	compliant
REACH-SVHC conformity status	compliant

Accessories

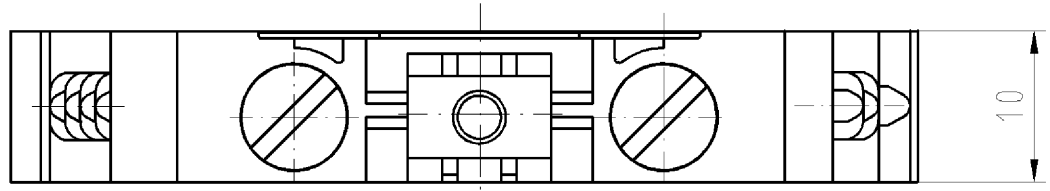
Commercial Art.No.:	Article-type description:	Description:
07.311.9455.0	end plate API 10 - 16/V0	End plate for DIN rail terminal blocks type WKI 10... und WKI 16..., color: grey
Z7.283.2227.0	insulated jumper bar IVBWKN10 - 2	Cross connector, insulated for DIN rail terminal blocks type WKN ..., 2 - pole
Z7.283.2327.0	insulated jumper bar IVBWKN10 - 3	Cross connector, insulated for DIN rail terminal blocks type WKN ..., 3 - pole
Z7.283.2427.0	insulated jumper bar IVBWKN10 - 4	Cross connector, insulated for DIN rail terminal blocks type WKN ..., 4 - pole

Z7.283.2527.0	insulated jumper bar IVBWKN10 - 5	Cross connector, insulated for DIN rail terminal blocks type WKN ..., 5 - pole
Z7.283.2627.0	insulated jumper bar IVBWKN10 - 6	Cross connector, insulated for DIN rail terminal blocks type WKN ..., 6 - pole
98.300.1000.0	mounting rail TS 35x7,5 PERF 15mm - l:2000mm	Mounting rail TS 35, slotted, size 7,5 mm, length 2 m, material steel. galv. zinc-plated and passivated
98.300.0000.0	mounting rail TS 35x7,5 UNPERF - l:2000mm	Mounting rail TS 35, unslotted, size 7,5 mm, length 2 m, material steel. galv. zinc-plated and passivated
98.300.1900.0	mounting rail TS 35x7,5 PERF 25mm - l:2000mm	Mounting rail TS 35, slotted, size 7,5 mm, length 2 m, material steel. galv. zinc-plated and passivated
98.360.0000.0	mounting rail TS 35x15-2,3 UNPERF - l:2000mm	Mounting rail TS 35, unslotted, size 15 mm, length 2 m, material steel. galv. zinc-plated and passivated
98.370.0000.0	mounting rail TS 35x15 UNPERF - l:2000mm	Mounting rail TS 35, unslotted, size 15 mm, length 2 m, material steel. galv. zinc-plated and dichromated
98.370.1000.0	mounting rail TS 35x15 PERF 15mm - l:2000mm	Mounting rail TS 35, slotted, size 15 mm, length 2 m, material steel. galv. zinc-plated and passivated
98.380.0000.0	mounting rail TS 35x15-2,3 UNPERF CU - l:2000mm	Mounting rail TS 35, unslotted, size 15 mm, length 2 m, material E copper



- Diese Maße werden bei Abnahme besonders geprüft
- Ausschließlich Prüfmaße
- MTL/NE-Merkmalzeichen Maße sind nur für interne Zwecke gültig

- Hutschiene EN 60715-35x7,5
mounting rail EN 60715-35x7,5
- Hutschiene EN 60715-35x15
mounting rail EN 60715-35x15
- G-Schiene EN 60715-G32
G-rail EN 60715-G32



Weitere Daten siehe Katalog
further data see catalog

* = spezielle Verpackung
specific package

Teile.-Nr. Part-number	Farbe colour	Typ type
57.510.1155.0	grau/grey	WKI 10/U /VO
57.510.1155.6	blau/blue	WKI 10/U BL/VO
57.510.1155.7	grün/green	WKI 10/U GE/VO
* 57.510.1195.0	grau/grey	WKI 10/U /VO
* 57.510.1195.6	blau/blue	WKI 10/U BL/VO

Freitoleranz nach		CAD - Zeichnung, keine manuellen Änderungen			1. Verwendung: -		Bl.: 1 von 1		
	/	Maßstab	Werkstoff und Oberfläche:		2004	Tag	Zeichnung Nr. 57.510.1155.0 01K		
	/				Entworfen	22.10.			Schnitt J.
	/				Geprüft	-			-
	/	Vol.	mm ³	Ofl.	mm ²	Normgepr.	-	Ersatz für: -	
	/	wieland Elektrische Verbindungen			Benennung DURCHGANGSKLEMME Modular terminal				
Buchstabe	Datum / Blatt								
Änderung									

Weitergabe sowie Vervielfältigung dieses Dokuments, Verwertung und Mitteilung
 seines Inhalts sind verboten, soweit nicht ausdrücklich gestattet.
 The reproduction, distribution and utilization of this document as well as the
 communication of its contents to others without express authorization is prohibited.

575101155001K_4_CAD/028_Schnitt 2004-10-25/12:16:06 1.000